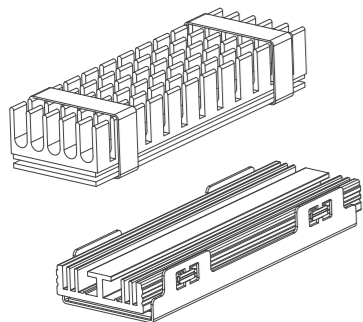
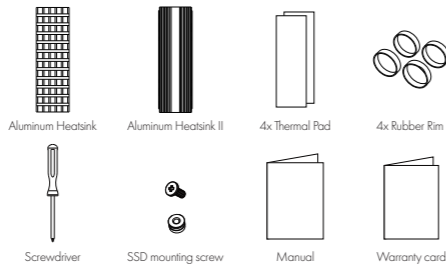


COOLING KITS for M.2 SSD 2280



Package Contents



Designed for Desktop PC

Specially designed for desktop computers, this M.2 SSD heatsink compatible with M.2 2280 SSD, perfectly fit for high performance M.2 SSD.

Double-sided cooling

Aluminum alloy-Groove design, greatly increase the heat dissipation area, with 15°C - 25°C cooling effect (Varies depending on the environments), cool your M.2 SSD to a safe temp to avoid overheating and throttling, improving the performance of your computer.

Unique Nano Thermal Pad

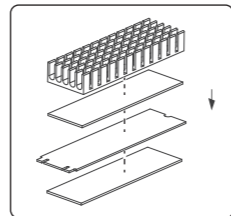
Advancing Gene thermal pad is made from Nano Silicon Grease Material, with good thermal conductivity ability. Soft enough and good ductility, compatible with uneven surfaces of the M.2 SSD. Low viscosity, with no damage to the SSD warranty label.

Fine Workmanship

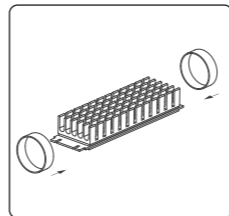
Heatsink material: Aluminum alloy, anodic oxidation surface treatment.
Copper, passivated surface treatment
Aluminum Heatsink Dimensions: 70 x 22 x 10mm.
Aluminum Heatsink Net weight: 22g.
Aluminum Heatsink-II Dimensions: 73 x 23 x 10mm.
Aluminum Heatsink-II Net weight: 45g.

M.2 SSD Installation

Aluminum Alloy Heatsink

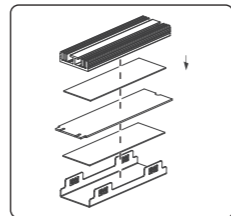


① Install thermal silicon, M.2 SSD, and heatsink.

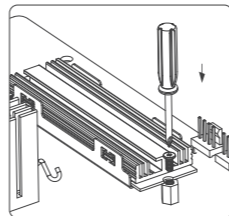


② Put the aluminum alloy radiator on two Rubber Rim

Aluminum Alloy Heatsink II



① Take out the aluminum radiator up, install Thermal silicone, M.2 SSD, and heatsink



② Insert the M.2 SSD heat sink into the plug M key connector of the M Key computer motherboard and lock the screw.

Safety information

Please read carefully the following information to prevent injuries, damage to material and device as well as data loss:

Warning levels

Signal words and safety codes indicate the warning level and provide immediate information in terms of the probability of occurrence as well as the type and severity of the consequences if the measures to prevent hazards are not complied with.

- DANGER** Warns of a **directly** hazardous situation causing **death** or **serious injury**.
- WARNING** Warns of a **potentially** hazardous situation that **may** cause death or serious injury.
- CAUTION** Warns of a **potentially** hazardous situation that **may** cause minor injury.
- IMPORTANT** Warns of a **potential** situation that **may** cause material or environmental damage and disrupt operative processes.

1. Risk of electrical shock

WARNING **Contact with parts conducting electricity**
Risk of death by electrical shock

- Read the operating instructions prior to use
- Make sure the device has been de-energised prior to working on it
- Do not remove contact protection panels
- Avoid contact with conducting parts
- Do not bring plug contacts in contact with pointed and metal objects
- Use in intended environments only
- Operate the device using a power unit meeting the specifications of the type plate only!
- Keep the device/power unit away from humidity, liquid, vapour and dust
- Do not modify the device
- Do not connect the device during thunderstorms
- Approach specialist retailers if you require repairs

2. Hazards during assembly(if intended)

CAUTION **Sharp components**
Potential injuries to fingers or hands during assembly(if intended)

- Read the operating instructions prior to assembly
- Avoid coming into contact with sharp edges or pointed components
- Do not force components together
- Use suitable tools
- Use potentially enclosed accessories and tools only

Safety information

3. Hazards caused by a development of heat

IMPORTANT **Insufficient device / power unit ventilation**
Overheating and failure of the device / power unit.

- Prevent externally heating up components and ensure an exchange of air
- Do not cover the fan outlet and passive cooling elements
- Avoid direct sunlight on the device/power unit
- Guarantee sufficient ambient air for the device/power unit
- Do not place objects on the device/power unit

4. Hazards caused by very small parts and packaging

WARNING **Risk of suffocation**
Risk of death by suffocation or swallowing

- Keep small parts and accessories away from children
- Store/dispose of plastic bags and packaging in an area that is inaccessible to children
- Do not hand over small parts and packaging to children

5. Potential data loss

IMPORTANT **Data lost during commissioning**
Potentially irreversible data loss

- Always comply with the information in the operating instructions/quick installation guide
- Exclusively use the product once the specifications have been met
- Back up data prior to commissioning
- Back up data prior to connecting new hardware
- Use accessories enclosed with the product

6. Cleaning the device

IMPORTANT **Harmful cleaning agents**
Scratches, discolouration, damage caused by moisture or short circuit in the device

- Disconnect the device prior to cleaning
- Aggressive or intense cleaning agents and solvents are unsuitable
- Make sure there is no residual moisture after cleaning
- We recommend cleaning devices using a dry, anti-static cloth

7. Cleaning the device

IMPORTANT **Environment pollution, unsuitable for recycling**
Potential environmental pollution caused by components, recycling circle interrupted

This icon on product and packaging indicates that this product must not be disposed of as part of domestic waste. In compliance with the Waste Electrical and Electronic Equipment Directive (WEEE) this electrical device and potentially included batteries must not be disposed of in conventional, domestic waste or **recycling waste**. If you would like to dispose of this product and potentially included batteries, please return it to the retailer or your local waste disposal and recycling point.

