

# 2.5" to 3.5" Converter

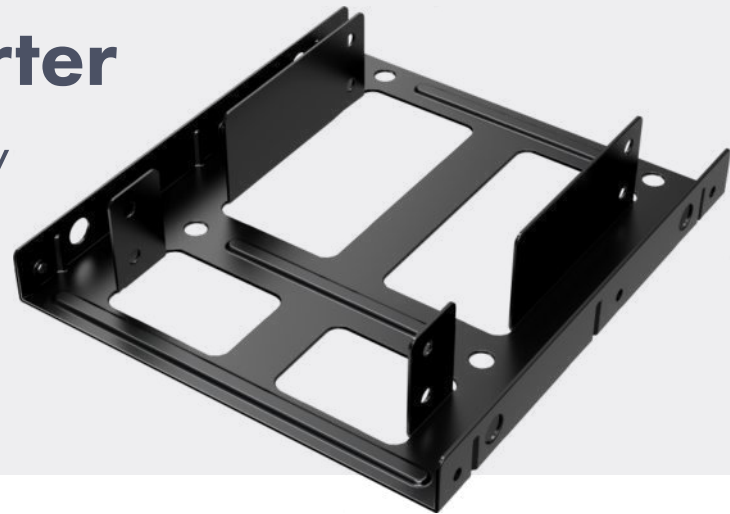
for 2x 2.5" SSD/HDD to 3.5" bay



For 2x 2.5"  
HDD/SSD



For 3.5" Internal  
Bay

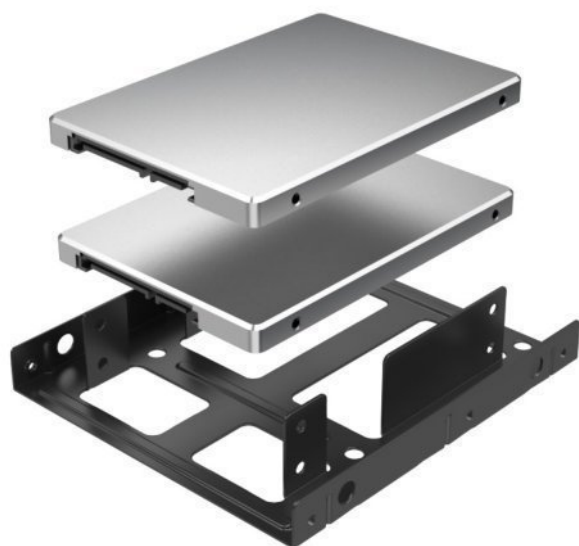


## Features

- Supports 2x 2.5" SSD/HDD into a 3.5" bay
- Supports 2.5" SSD/HDD up to 9.5mm height
- 80mm fan could be added to the bottom of the adapter for better cooling

## When two must into one

With our HDD/SSD converter you can combine up to two 2.5" HDD's/SSD's in a single 3.5" mounting bay. Our G-CV-25T35 converter encompasses HDD's/SSD's with heights up to 9.5 mm.



## Specification

- **Support :** 2x 2.5" HDD / SSD into a 3.5" bay
- **Product material :** metal
- **Dimension :** 102x115x24 mm
- **Weight :** 55 g

## Package Contents

- 1 x G-CV-25T35
- 1 x SSD/HDD mounting screws
- 1 x User Manual
- 1 x Warranty card

## Logistic Data

Packaging Unit: 2 pcs/carton; Total weight of carton: 2 kg; Gross weight of product: 79g; Net weight of product: 55g;  
Dimension/carton: 2 mm; Dimension (Pack.)of product: 105x118x27mm; Dimension of product: 102x115x24mm

**G-CV-25T35**