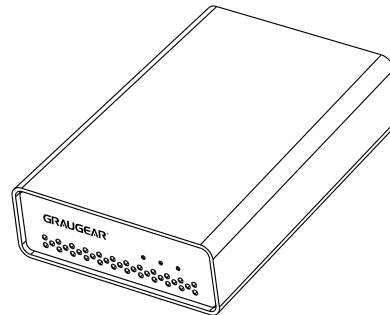


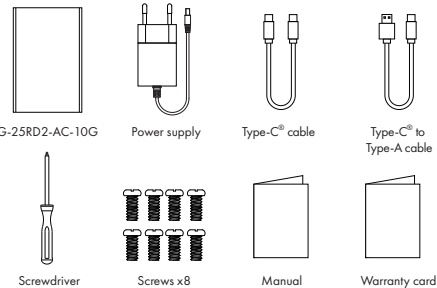
GRAUGEAR®

Type-C® RAID Enclosure

for 2x 2.5" SATA SSD/HDD



Package Contents



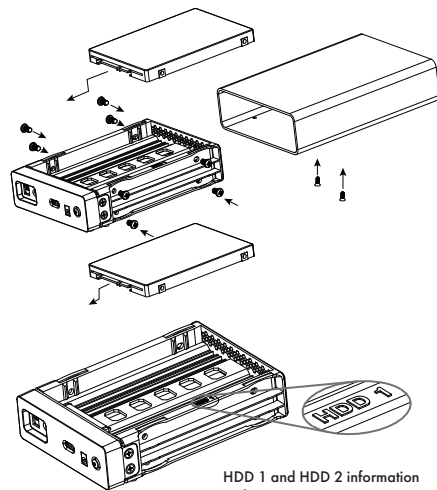
Features

- External RAID system for 2x 2.5" SATA I/II/III SSD/HDD
- Very fast data transfer rates with up to 780 MB/s in RAID 0 mode.
- Aluminum housing with front vents for maximum heat dissipation
- Type-C® USB 3.2 Gen 2 interface to host computer with up to 10 Gbit/s
- Supported RAID level: RAID 0, 1, SINGLE, LARGE
- Supports SATA III with up to 6 Gbit/s and UASP, Automatic rebuilding
- DC power input with power adapter 5V/2A
- LED for power, SSD/HDD in use, access and error
- Supports Windows® and MacOS®

Specification

- **Internal Interface** : SATA
- **External Interface** : USB3.2 Gen2 Type-C®
- **Controllers** : ASM1352R
- **Support** : 2.5" HDD/SSD (thickness 7-9.5mm)
- **Transfer Speed** : 6Gbit/s (Theoretic)
- **Product material** : Aluminium / Plastic
- **Cable length** : 40cm/15.75 inches

Hard Disk Drive Installation



HDD 1 and HDD 2 information at the HDD tray!

Attention

1. If hard disk already contains data, please backup data before installation to prevent data loss!
2. Setting or changing the RAID mode requires you have to re-format the drives. This will erase all data on the hard drives that are being formatted. Make sure to backup all existing data first!
3. Never use the confirmation button when all settings have been completed and the drives contains your data. When using the confirmation button in any RAID mode, all data could be erased.

RAID Description

The following table shows the available RAID options and settings:

1. LARGE
To be exact LARGE is not a real RAID mode but could be seen as one. In LARGE Mode, the space of the second disc is simply appended to the first disc. The space of the two disks is added to one big disk.

2. RAID 1
RAID 1 (Mirroring) all data is written identically on both discs. If one disc fails, the other contains all data again. This provides security against the failure of one disk at the cost of the bigger disks space.

3. RAID 0
RAID 0 (Striping) writes data block wise alternating on the two disks. Two data blocks can be written at the same time which enhances speed. The disk space of the combined volume is twice the smaller disk size.

4. SINGLE
Like LARGE it is not really a RAID mode. This means that both discs are integrated as separate hard drives with its own content, independent from each other.

Application

Before operating the RAID enclosure with the installed HDDs/SSDs with the computer you need to make sure that:

- you have set the RAID function as requested
- plug in the USB Type-C® cable into one Computer or Notebook
- connect the power adapter to the RAID enclosure and the power outlet
- turn on the power

Configure the RAID Mode

1. Make sure the device is connected via the delivered USB Type-C® cable to a supported computer or notebook that is ON.
2. Set the RAID switch and select your preferred RAID mode. (white colour shows the switch position)



3. Press the "RAID-Reset-Button" for 5 seconds to confirm the setting.
4. Complete the setting inside Disk management of your system. (initialize and format)

References

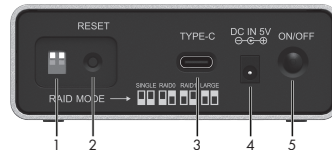
1. Setting/changing the RAID mode requires formatting the drives. Make sure to backup all existing data first!
2. When using RAID function, more than one HDD partition is not recommended.
3. When using the RAID 1 function, HDD's with the same capacity is recommended.
4. In RAID 1 mode the hard disks HDD1 and HDD2 must be installed, otherwise the operating system of your computer (Windows/ Macintosh) cannot recognize the device.
5. Under Windows 7/8.1/10, users can enable GPT when initializing HDD with a total capacity of more than 2 TB.
6. For Macintosh users: the total capacity of more than 2 TB could be recognized only for the operation system 10.4.11 Tiger or later.
7. Rebuild time is based on the capacity, e.g. it takes about 1 hour for 200 GB.

Front view



1. Power LED: Red RAID Enclosure is on
2. HDD 1 LED: Blue flashing HDD access
3. HDD 2 LED: Blue flashing HDD access

Rear view



1. RAID Mode switch
2. RAID confirmation button (RESET)
3. USB 3.2 (Gen 2) interface (Type-C®)
4. DC Power in
5. Power button

Safety information

Please read carefully the following information to prevent injuries, damage to material and device as well as data loss:

Warning levels

Signal words and safety codes indicate the warning level and provide immediate information in terms of the probability of occurrence as well as the type and severity of the consequences if the measures to prevent hazards are not complied with.

DANGER Warns of a **directly** hazardous situation causing **death** or **serious injury**.

WARNING Warns of a **potentially** hazardous situation that **may** cause death or serious injury.

CAUTION Warns of a **potentially** hazardous situation that **may** cause minor injury.

IMPORTANT Warns of a **potential** situation that **may** cause material or environmental damage and disrupt operative processes.

1. Risk of electrical shock

WARNING Risk of death by electrical shock

- Read the operating instructions prior to use
- Make sure the device has been de-energised prior to working on it
- Do not remove contact protection panels
- Avoid contact with conducting parts
- Do not bring plug contacts in contact with pointed and metal objects
- Use in intended environments only
- Operate the device using a power unit meeting the specifications of the type plate only!
- Keep the device/power unit away from humidity, liquid, vapour and dust
- Do not modify the device
- Do not connect the device during thunderstorms
- Approach specialist retailers if you require repairs

2. Hazards during assembly(if intended)

CAUTION Sharp components
Potential injuries to fingers or hands during assembly(if intended)

- Read the operating instructions prior to assembly
- Avoid coming into contact with sharp edges or pointed components
- Do not force components together
- Use suitable tools
- Use potentially enclosed accessories and tools only

Safety information

3. Hazards caused by a developent of heat

IMPORTANT Insufficient device / power unit ventilation
Overheating and failure of the device / power unit.

- Prevent externally heating up components and ensure an exchange of air
- Do not cover the fan outlet and passive cooling elements
- Avoid direct sunlight on the device/power unit
- Guarantee sufficient ambient air for the device/power unit
- Do not place objects on the device/power unit

4. Hazards caused by very small parts and packaging

WARNING Risk of suffocation
Risk of death by suffocation or swallowing

- Keep small parts and accessories away from children
- Store/dispose of plastic bags and packaging in an area that is inaccessible to children
- Do not hand over small parts and packaging to children

5. Potential data loss

IMPORTANT Data lost during commissioning
Potentially irreversible data loss

- Always comply with the information in the operating instructions/quick installation guide
- Exclusively use the product once the specifications have been met
- Back up data prior to commissioning
- Back up data prior to connecting new hardware
- Use accessories enclosed with the product

6. Cleaning the device

IMPORTANT Harmful cleaning agents
Scratches, discolouration, damage caused by moisture or short circuit in the device

- Disconnect the device prior to cleaning
- Aggressive or intense cleaning agents and solvents are unsuitable
- Make sure there is no residual moisture after cleaning
- We recommend cleaning devices using a dry, anti-static cloth

7. Cleaning the device

IMPORTANT Environment pollution, unsuitable for recycling
Potential environmental pollution caused by components, recycling circle interrupted

This icon on product and packaging indicates that this product must not be disposed of as part of domestic waste. In compliance with the Waste Electrical and Electronic Equipment Directive (WEEE) this electrical device and potentially included batteries must not be disposed of in conventional, domestic waste or recycling waste. If you would like to dispose of this product and potentially included batteries, please return it to the retailer or your local waste disposal and recycling point.

If you have any questions, please do not hesitate to contact our support at support@graugear-usa.com or visit our website at www.graugear-usa.com

GRAUGEAR®



© Copyright 2022 by Detron International Co., Ltd
8F, No. 67, Anping Road, Zhonghe District, New Taipei City, Taiwan, R.O.C.
Made in China

Windows and the Windows logo are registered trademarks of Microsoft Corporation.
Apple, macOS, MAC, iTunes and Macintosh are registered trademarks of Apple Computer.